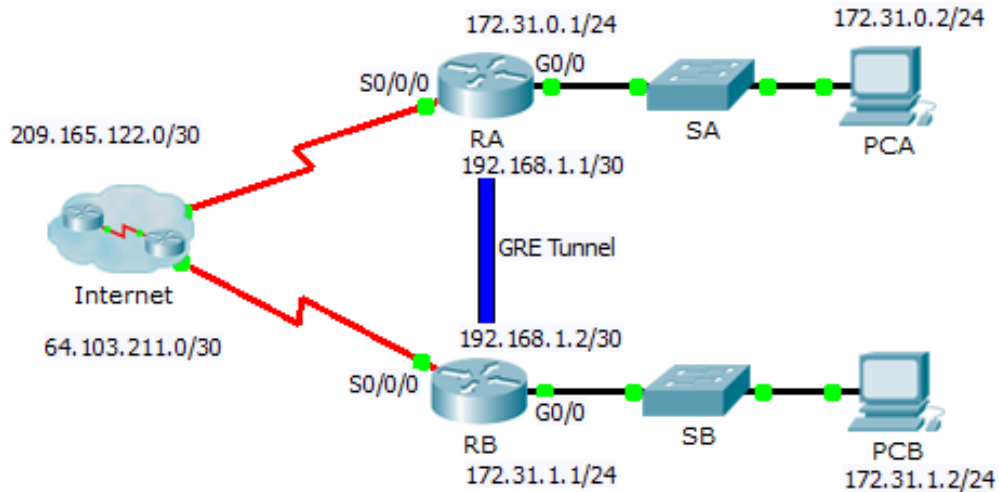


Packet Tracer – Troubleshooting GRE

Topology



Addressing Table

Device	Interface	IP Address	Subnet Mask	Default Gateway
RA	G0/0	172.31.0.1	255.255.255.0	N/A
	S0/0/0	209.165.122.2	255.255.255.252	N/A
	Tunnel 0	192.168.1.1	255.255.255.252	N/A
RB	G0/0	172.31.1.1	255.255.255.0	N/A
	S0/0/0	64.103.211.2	255.255.255.252	N/A
	Tunnel 0	192.168.1.2	255.255.255.252	N/A
PC-A	NIC	172.31.0.2	255.255.255.0	172.31.0.1
PC-C	NIC	172.31.1.2	255.255.255.0	172.31.1.1

Objectives

- Find and Correct All Network Errors
- Verify Connectivity

Scenario

A junior network administrator was hired to set up a GRE tunnel between two sites and was unable to complete the task. You have been asked to correct configuration errors in the company network.

Part 1: Find and Correct All Network Errors.

Device	Error	Correction

Part 2: Verify Connectivity

Step 1: Ping PCA from PCB.

Attempt to ping the IP address of **PCA** from **PCB**. The ping should be successful.

Step 2: Trace the path from PCA to PCB.

Attempt to trace the path from **PCA** to **PCB**. Note the lack of public IP addresses in the output.